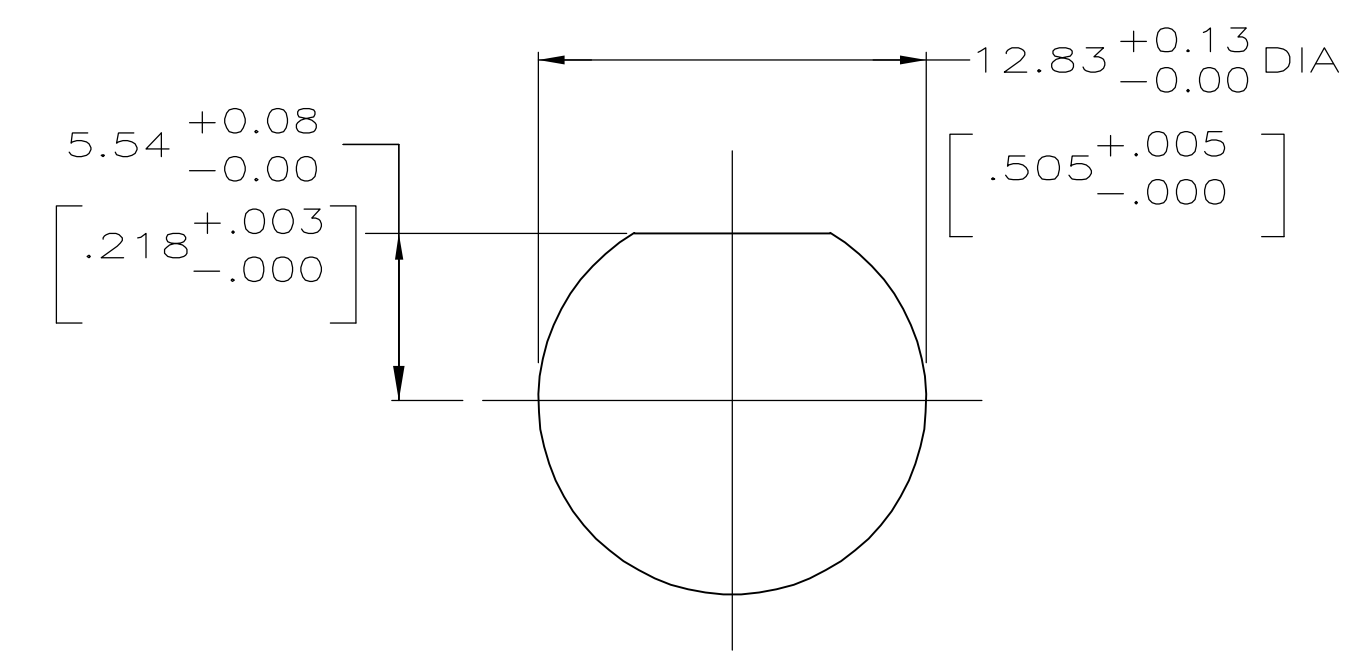
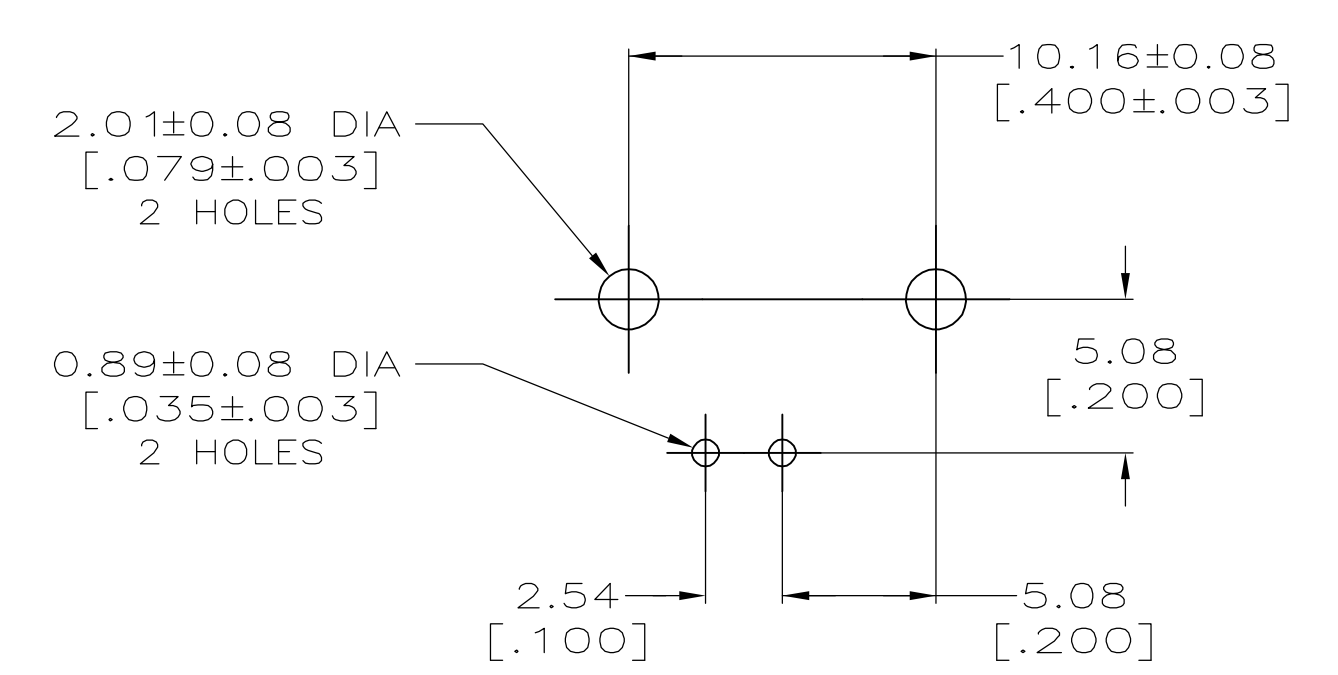


- 1 POLYESTER PBT PER MIL-M-24519, TYPE GPT-15F, UL94V-0 RATED, COLOR:NATURAL
- 2 POLYMETHYLPENTENE, GENERAL PURPOSE
- 3 ZINC PER ASTM-B-86
- 4 PHOSPHOR BRONZE PER QQ-B-750
- 5 BRASS PER QQ-B-626
- 6 NICKEL PLATE PER QQ-N-290, 3.81 μm [0.000150] MINIMUM THICK
- 7 GOLD PLATE PER MIL-G-45204, 0.76 μm [0.000030] MINIMUM THICK
- 8 TIN PLATE PER ASTM B 545, 3.81 μm [0.000150] MINIMUM THICK.



RECOMMENDED PANEL CUTOUT



PCB CONFIGURATION

5227818-1
PART NUMBER

THIS DRAWING IS A CONTROLLED DOCUMENT.		DWG L. VARELA - DOCKS	Tyco Electronics Corporation Harrisburg, Pa 17105-3608	
DIMENSIONS: mm (INCHES)		CHK J. HAVENER	NAME JACK, RIGHT ANGLE, PCB, TNC	
TOLERANCES UNLESS OTHERWISE SPECIFIED:		APVD J. LIPPERT	PRODUCT SPEC	
0 PLC ± -		APPLICATION SPEC		
1 PLC ± -		SIZE A1		
2 PLC ± 0.05 [0.002]		CAGE CODE 00779		
3 PLC ± -		DRAWING NO 5227818		
4 PLC ± -		RESTRICTED TO		
ANGLES ± -		WEIGHT		
FINISH		CUSTOMER DRAWING		
SCALE 4:1		SHEET 1 OF 1		
REV A1				